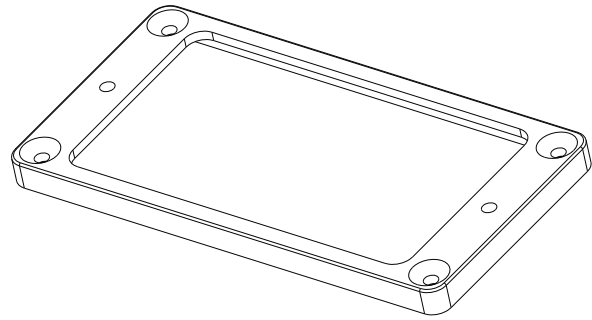




0230-0289-B

PO BOX 4394  
SANTA ROSA, CA  
95402 USA

P (707) 525-9941  
F (707) 575-7046  
EMGPICKUPS.COM



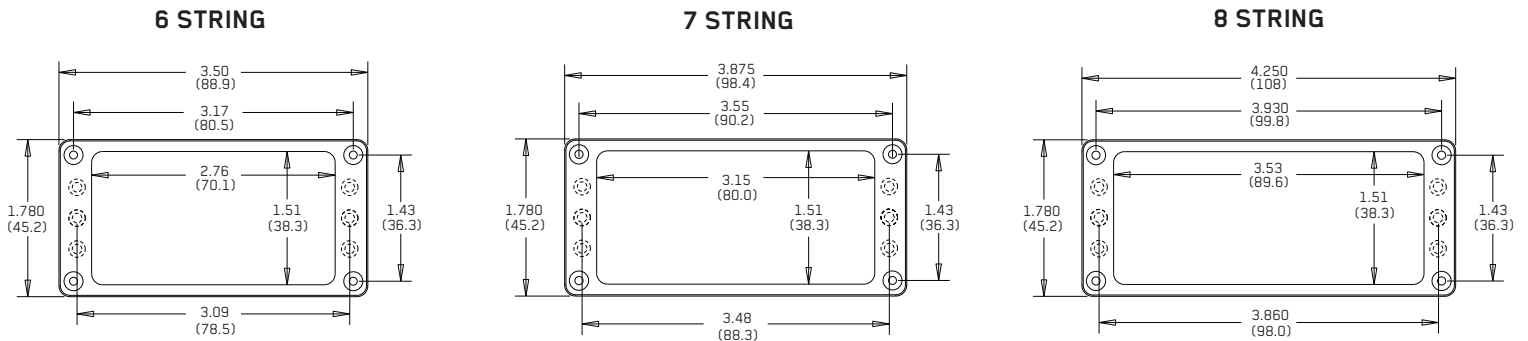
## INSTALLATION INFORMATION EMG MODEL: HUMBUCKER MOUNTING RINGS

### Mounting Ring Summary:

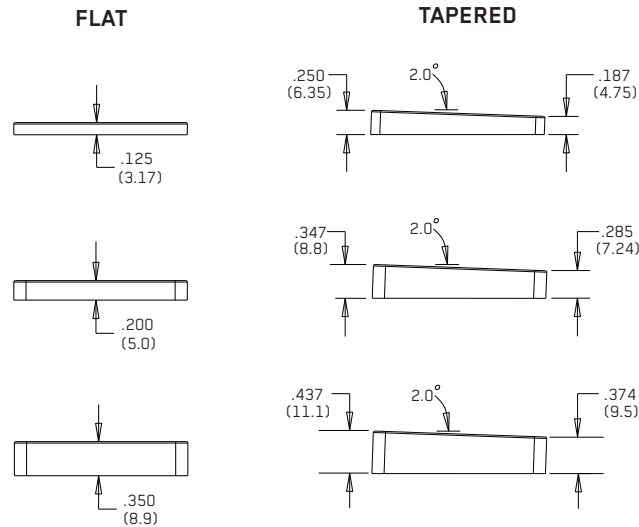
EMG Mounting Rings are available for 6, 7, and 8 String humbucker pickups. They are made to match EMG Pickup housings, but will work fine with most any humbucker pickups. Be sure to review these dimension diagrams carefully before purchasing EMG Mounting Rings for use with another manufacturer's pickups.

There are 3 styles available; flat, tapered, and arched. For each style, there are 3 different heights and all rings are available in either Black, White, or Ivory. Made in the U.S.A.

### Mounting Ring Dimensions (top view):



### Mounting Ring Dimensions (side view):



### Ring Dimensions (side views):

