

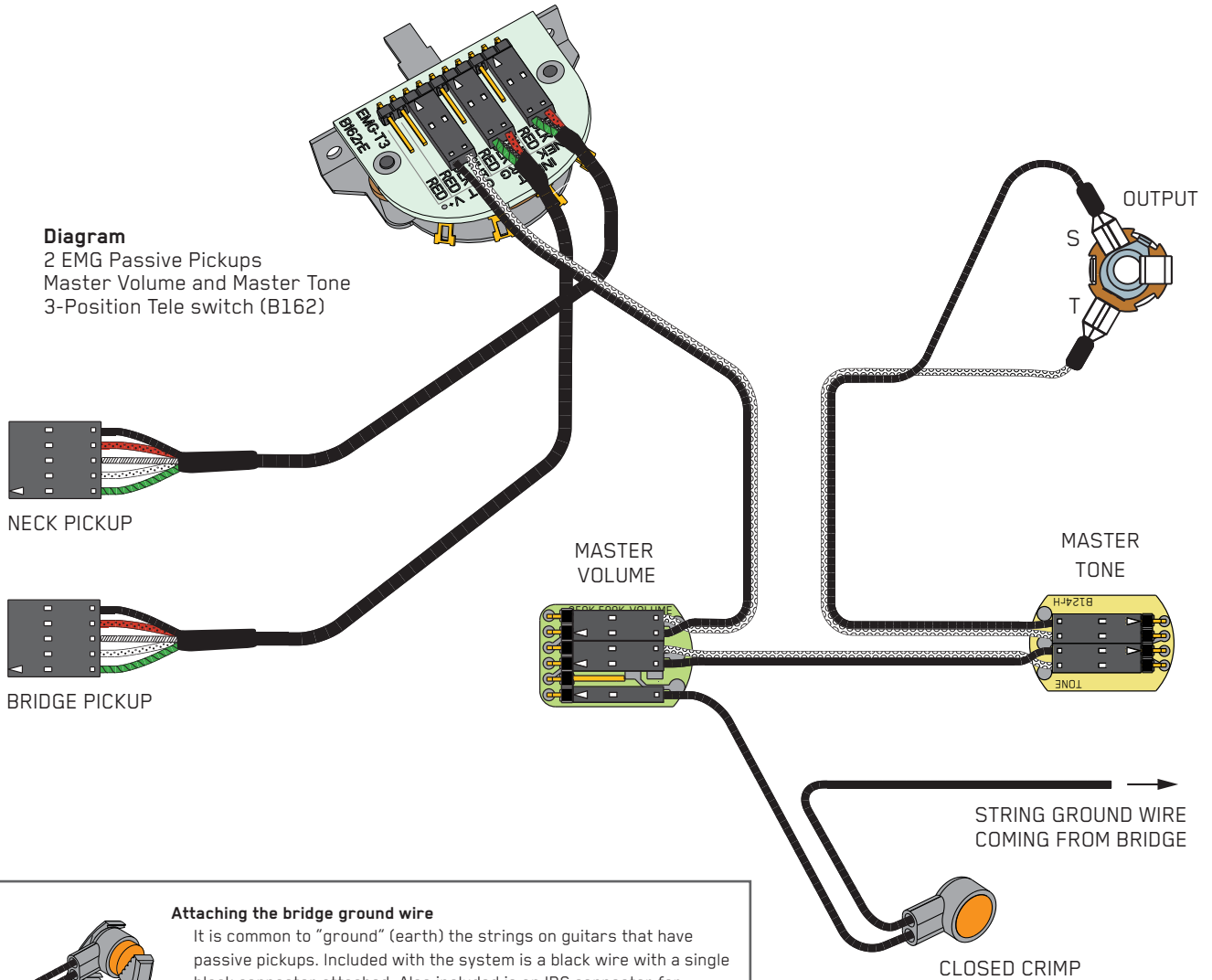


PO BOX 4394  
SANTA ROSA, CA  
95402 USA

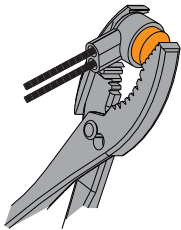
P (707) 525-9941  
F (707) 575-7046  
EMGPICKUPS.COM

## INSTALLATION INFORMATION EMG MODELS: PASSIVE / PASSIVE

**Diagram**  
2 EMG Passive Pickups  
Master Volume and Master Tone  
3-Position Tele switch (B162)



### Attaching the bridge ground wire



It is common to "ground" (earth) the strings on guitars that have passive pickups. Included with the system is a black wire with a single black connector attached. Also included is an IDC connector for connecting the two wires together. Insert the bridge ground wire, and the connector wire into the IDC connector, crimp the connector with a pair of pliers until it snaps and this will connect the two wires. You don't need to strip the insulation from the wires. Push the black connector onto a free ground terminal (GND) of the volume control as shown in the diagram. This will ground the strings to the system.

### WARRANTY

All EMG Pickups and accessories are warranted for a period of two years. This warranty does not cover failure due to improper installation, abuse or damage. If upon examination the pickup is determined to be defective, a replacement will be made. Warranty replacement products are covered by this same warranty. This warranty covers only those pickups and accessories sold by authorized EMG Dealers. This warranty is not transferable.